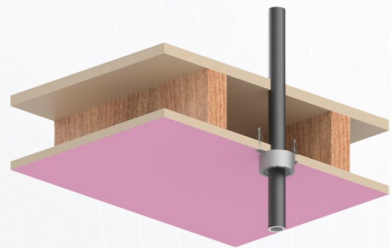


V22.9

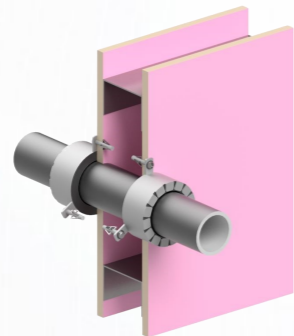


16mm FR PLASTERBOARD CEILINGS

Up to Ø32mm Pexline pipe
40mm Ryanfire SL Collar &
Ryanfire HP-X

Ø16mm Ø32mm
-/60/60 -/30/30

V21.3

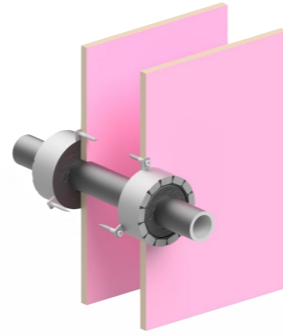


13mm FR PLASTERBOARD WALLS

Up to Ø32mm Pexline pipe
40mm Ryanfire SL Collar &
Ryanfire HP-X

-/60/30

V21.4

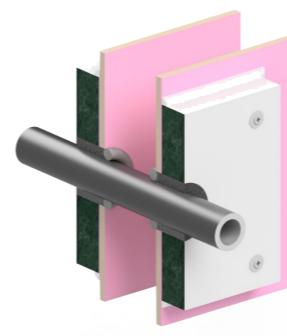


13mm FR PLASTERBOARD WALLS

Up to Ø16mm Pexline pipe
40mm Ryanfire SL Collar &
Ryanfire HP-X

-/60/30

V20.6

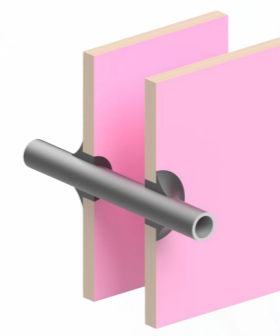


13mm FR PLASTERBOARD WALLS

Up to Ø32mm Pexline pipe
Intubatt & Intumastic HP

-/60/60

V20.1



26mm FR PLASTERBOARD WALLS

Up to Ø32mm Pexline pipe
Intumastic HP

-/120/120

V20.3

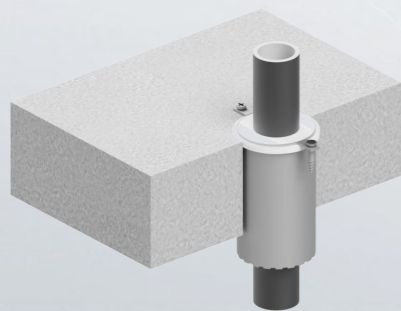


13mm FR PLASTERBOARD WALLS

Up to Ø32mm Pexline pipe
Plasterboard patch
Intumastic HP

-/60/-

V25.9

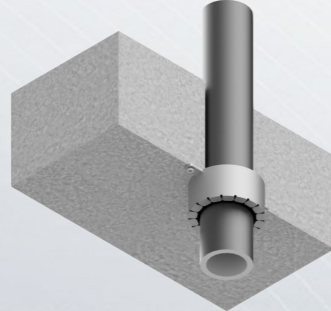


100mm CONCRETE FLOORS

Up to Ø32mm Pexline pipe
40mm Ryanfire TD Collar &
Ryanfire Mastic

Ø16mm Ø32mm
-/120/90 -/120/-

V25.17

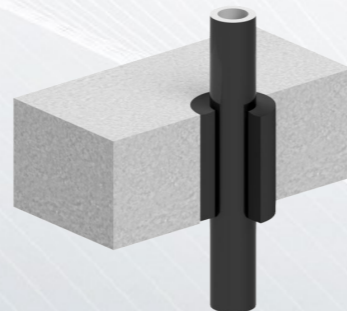


100mm CONCRETE FLOORS

Up to Ø32mm Pexline pipe
Ryanfire SL Collar &
Ryanfire HP-X

Ø16mm Ø32mm
-/120/90 -/30/-

V22.6

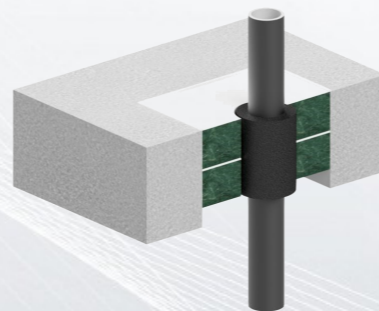


100mm CONCRETE FLOORS

Up to Ø32mm Pexline pipe
Intumastic HP

-/120/120

V24.2

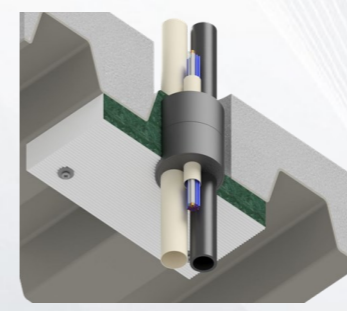


120mm CONCRETE FLOORS

Up to Ø32mm Pexline pipe
Intubatt & Intumastic HP

-/120/120

V23.2

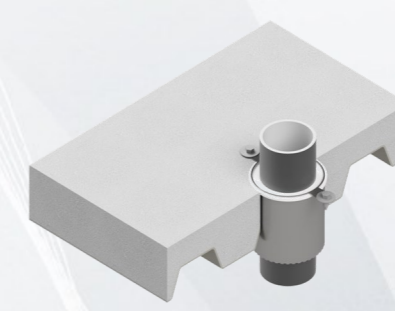


130mm COMPOSITE FLOORS

Up to Ø32mm Pexline pipe
Mixed Service Penetration
Intubatt, Intustrap &
Intumastic HP

-/90/-

V25.16

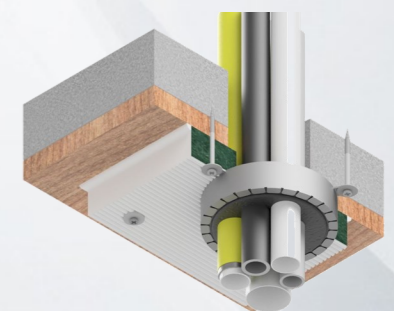


120mm COMPOSITE FLOORS

Up to Ø32mm Pexline pipe
Ryanfire TD Collar &
Ryanfire Mastic

Ø16mm Ø32mm
-/120/60 -/60/30

V22.5



100mm TIMBER INFILL FLOORS

Up to Ø32mm Pexline pipe
Mixed Service Penetration
Intubatt, Ryanfire SL Collar &
Intumastic HP

-/60/-

The information provided in this poster is correct on the date of publication. Please note the seal information on this poster is valid for the maximum pipe diameters provided by BUTELINE at the time of publication. Actual seal fire performance and approvals may exceed what is shown. Please contact Ryanfire for detailed and specific fire performance information.

All seals tested to AS1530.4
Structural / Integrity / Insulation

Tel 09 443 0362 info@ryanfire.co.nz
www.ryanfire.co.nz