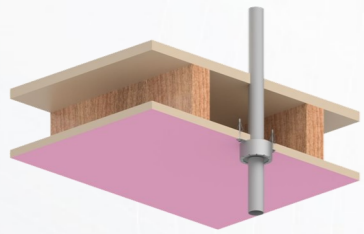


V22.9



16mm FR PLASTERBOARD CEILING

Up to Ø28mm Polybutylene pipe
40mm Ryanfire SL Collar &
Ryanfire HP-X

-/30/30

V23.4

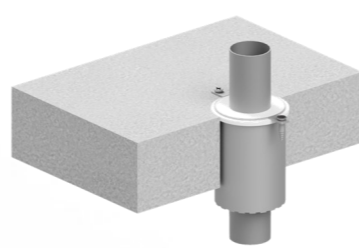


UNLINED CEILING (TIMBER FRAME)

Up to Ø28mm Polybutylene pipe
50mm Ryanfire Batt &
2 layers Ryanfire Strap

-/60/60

V25.9 & V25.13

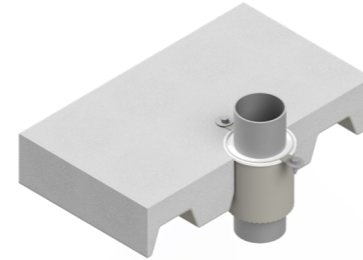


CONCRETE FLOORS

Up to Ø28mm Polybutylene pipe
Ryanfire TD Collar & Ryanfire Mastic

100mm floor 150mm floor
-/120/90 -/120/120

V25.14

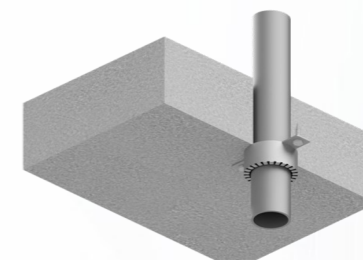


COMPOSITE FLOORS

Up to Ø28mm Polybutylene pipe
Ryanfire TD Collar & Ryanfire Mastic
120mm Composite floors

-/120/60

V25.15



100mm CONCRETE FLOORS

Up to Ø28mm Polybutylene pipe
Ryanfire 40mm SL Collar &
Ryanfire Mastic

-/120/-

V20.12

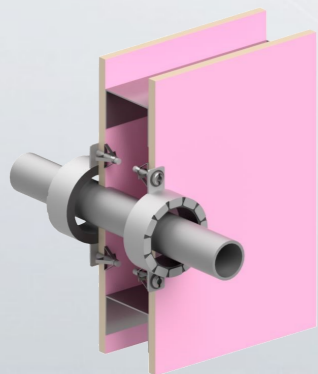


UNLINED WALLS (TIMBER FRAME)

Up to Ø28mm Polybutylene pipe
80mm Ryanfire Batt &
2 layers Ryanfire Strap

-/60/60

V21.5

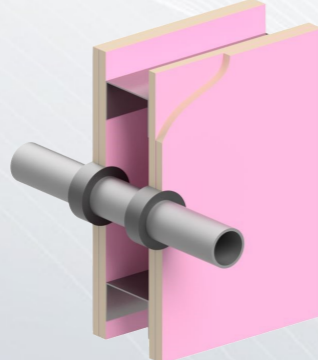


13mm FR PLASTERBOARD WALLS

Up to Ø28mm Polybutylene pipe
Ryanfire 40mm SL Collar &
Ryanfire Mastic

-/60/45

V20.11

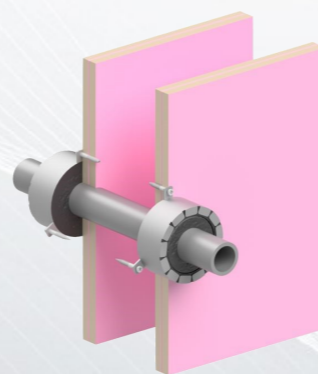


26mm FR PLASTERBOARD WALLS

Up to Ø28mm Polybutylene pipe
Ryanfire HP-X
116mm thick wall
2 layers 13mm FR plasterboard

-/120/30

V20.8

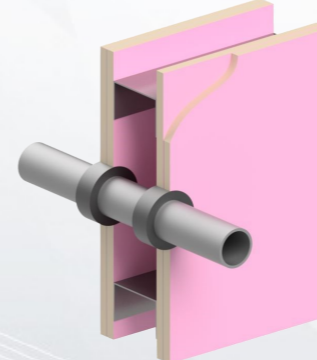


26mm FR PLASTERBOARD WALLS

Up to Ø22mm Polybutylene pipe
Ryanfire SL Collar & Intumastic HP
2 layers 13mm FR plasterboard

-/120/120

V20.19

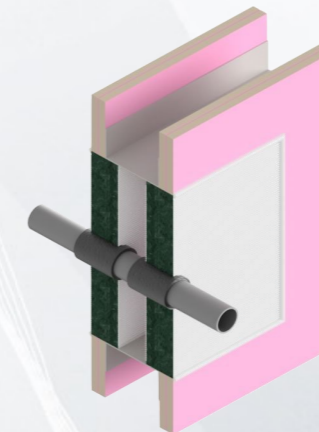


26mm FR PLASTERBOARD WALLS

Up to Ø28mm Polybutylene pipe
Intumastic HP
116mm thick wall
2 layers 13mm FR Plasterboard

-/120/120

V20.20

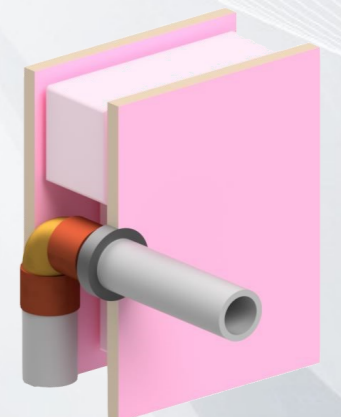


26mm FR PLASTERBOARD WALLS

Up to Ø28mm Polybutylene pipe
50mm Ryanfire Batt & Ryanfire Strap
116mm thick wall
2 layers 13mm FR Plasterboard

-/120/60

V20.9



13mm FR PLASTERBOARD WALLS

Up to Ø28mm Polybutylene pipe
Ryanfire HP-X
90mm thick wall
One way seal

-/90/90