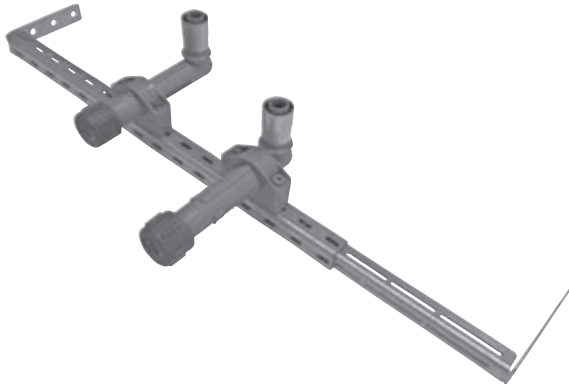


Fit Off Stage

1. Remove the self-sealing test cap with the palm spanner and drain water.
2. Fit wall flange (if necessary) and then connect the appropriate fitting and do not overtighten.
3. Push back the adjustable male wall elbow until contact is made with the wall lining.



**Quicker, Smarter,
Easier Install**



BUTELINE NZ LTD

Head Office

29 Lady Ruby Drive, East Tamaki, Auckland
PO Box 204308, Highbrook, Auckland 2161, New Zealand
Phone +64 9 273 5800, Fax +64 9 273 5808
Email sales@buteline.co.nz

BUTELINE AUSTRALIA PTY LTD

Head Office

20/300 Cullen Avenue,
Eagle Farm, Queensland 4009
Australia
Phone +61 7 3630 2173, Fax +61 7 3630 2195
Email brisbane@buteline.com.au

BUTELINE MALAYSIA SDN BHD

Head Office

55G & 55M, Plaza Damansara, Medan Setia I
Damansara Heights, 50490
Kuala Lumpur, Malaysia
Phone +60 3 2094 7195, Fax +60 3 2093 8224
Email butsales@streamyx.com

BUTELINE UK LTD

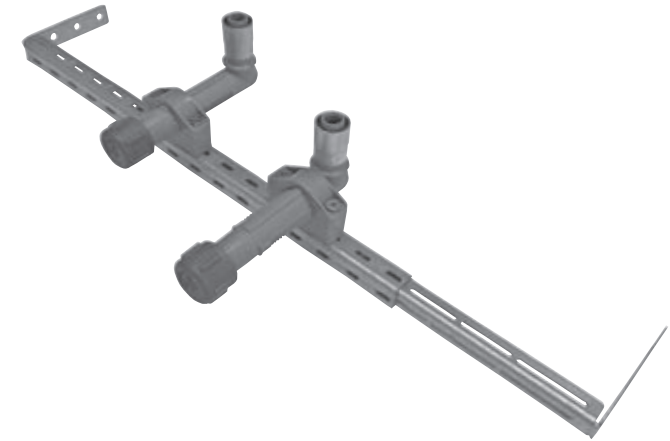
Head Office

Unit 9
Swanbridge Industrial Park
Black Croft Road, Witham, Essex
CM8 3YN, United Kingdom
Phone +44 1 376 520792, Fax +44 1 376 520793
Email info@buteline.co.uk

www.buteline.com

B BUTELINE™
PLUMBING SYSTEM

BUTE-1 & BUTE-1EX Installation Guide

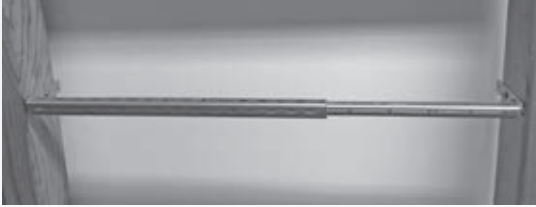


Pack includes:

- 10 x Bute-I / Bute-1EX Adjustable Male Wall Elbows
(Fully adjustable 1/2" BSP fittings)
- 10 x Fixing Clamps
- 5 x Telescopic Nog Brackets
- 12 x Bute Self Sealing Test Caps
- 1 x Bute Palm Spanner
- 20 x 40mm TEK Fixing Screws for Fixing Clamps
- 10 x 15mm TEK Screws

Pipe Out Stage

1. Refer to the *Installation Instructions for Telescopic Nog Brackets* to install the galvanized steel sliding brackets on timber wall studs or steel framing studs.



2. Use the supplied 15mm TEK screw (x 1) to fix the bottom of the Fixing Clamp to the desired position on the Telescopic Bracket.

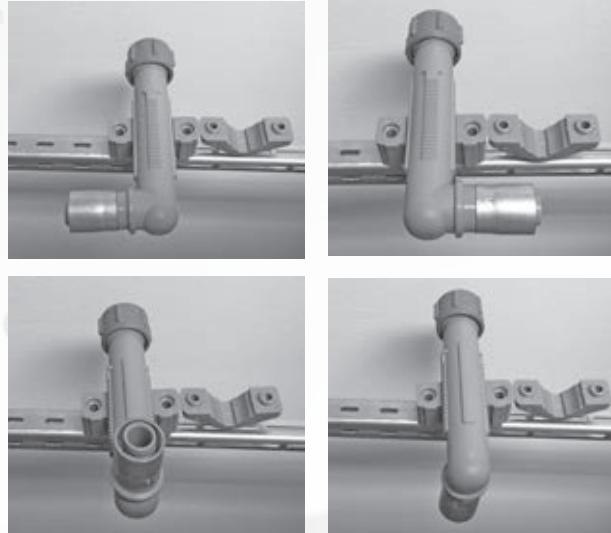


IMPORTANT NOTE:

Allow minimum 150mm clearance from the end of the clamp ring to any pipe penetration to allow for free moment of the elbow when adjusting.

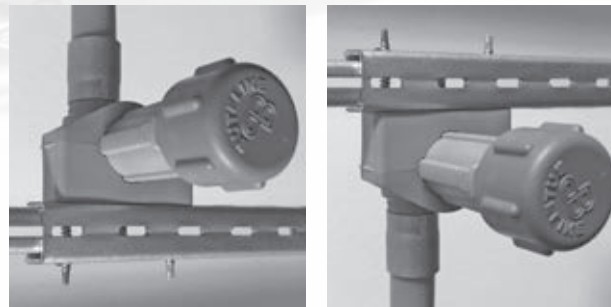


3. Insert the elbow into the Fixing Clamp, ensuring the inlet of the elbow is facing the desired direction. The fixing clamp allows for 4 different fixing positions:



IMPORTANT NOTE:

Fix on top of the bracket OR Fix underneath the bracket



4. Fit the top half of Fixing Clamp over the elbow. Drive the supplied 40mm TEK screws (x 2) into the bracket with a cordless drill, ensuring they are fully home.

NOTE: Set cordless drill to a medium torque setting, do not over-tighten.



5. Tighten (nip) the Bute self-sealing test cap with the Bute palm spanner supplied. (No washers or thread tape etc. required).



6. Pull elbows into the fully forward (or otherwise desired) position.

